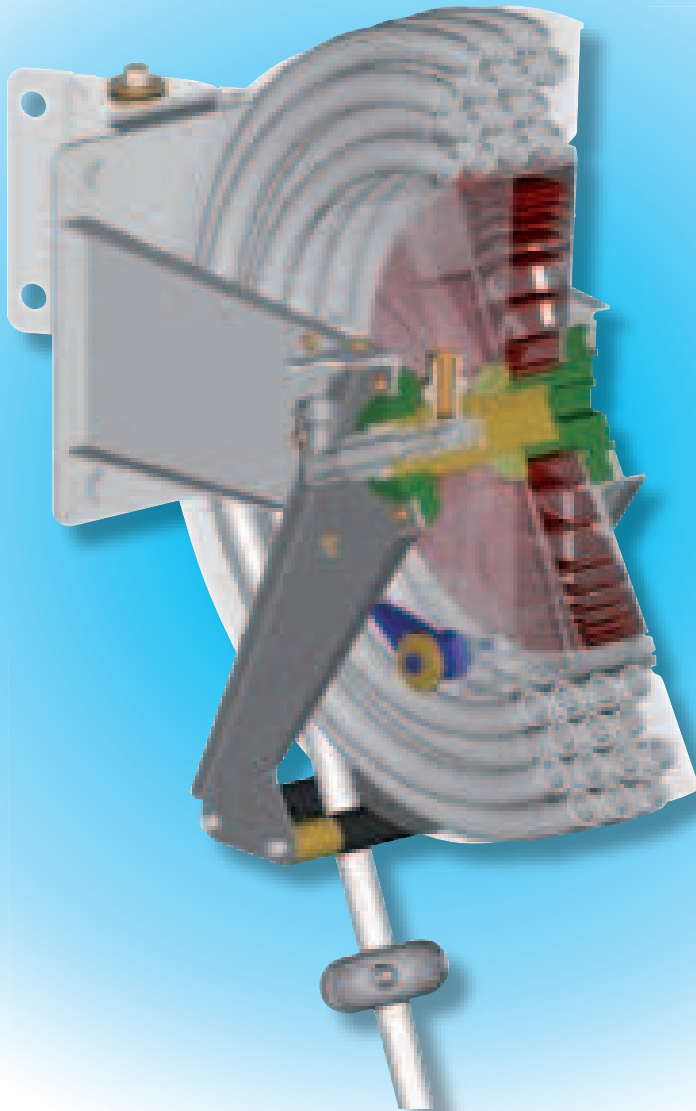


HOSE-REELS

**Ideal tool for a multi-point dispensing, keeping your work area clean.
Available in different models to satisfy every need.**





“SMALL” range

**Special hose-reel to be enclosed in distribution columns or boxes.
Hose-reel is supplied without hose bracket.**

RA2021



A special production hose reel for use on our cabinet and box dispensers. Hose-reel is supplied without hose-guide bracket.



		RA2021	DA2001	DA2002
working pressure	bar	20	10	10
	psi	290	145	145
hose length	m	-	7	5
	ft	-	23'	17'
diameter hose		-	3/4"	1"
inlet connection		3/4" BSP F	-	-
outlet connection		3/4" BSP F	-	-
max winding capacity 3/4"	m	7	-	-
	ft	23'	-	-
max winding capacity 1"	m	5	-	-
	ft	17'	-	-
	kg	17	22,5	23,5
	cm	46 x 46 x 27		

HOSE-REELS

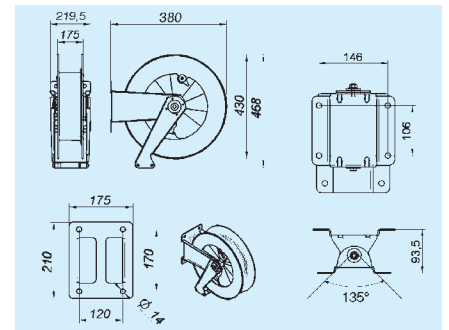
"STANDARD" range

		RA2016	DA2101	DA2102
working pressure	bar	20	10	10
	psi	290	145	145
hose length	m	-	7	5
	ft	-	23'	17'
diameter hose		-	3/4"	1"
inlet connection		3/4"BSP F	-	-
outlet connection		3/4"BSP F	-	-
max winding capacity 3/4"	m	7	-	-
	ft	23'	-	-
max winding capacity 1"	m	5	-	-
	ft	17'	-	-
	kg	20,5	25	26
	cm	54 x 61 x 24		



RA2016

Hose reel with glass falled polypropylene, drum loaded and powder coated steel frame



VA9001

Swivel bracket for "STANDARD" hose-reels in powder coated steel





"HIGH CAPACITY" range

RA2017

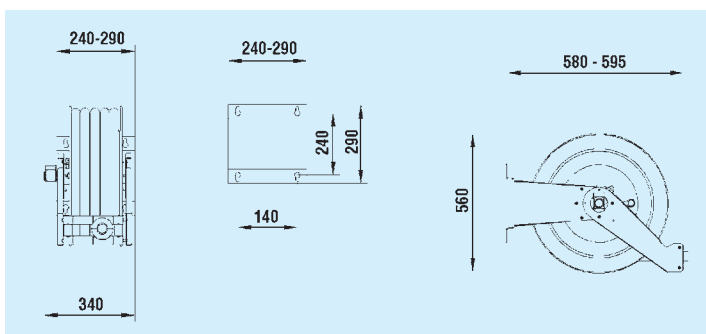
Hose-reel with roller and powder coated steel structure



		COATED STEEL		INOX	
		RA2017	DA2111	RA2019	DA2201
working pressure	bar	20	10	20	10
	psi	290	145	290	145
hose length	m	-	15	-	15
	ft	-	50'	-	50'
diameter hose		-	3/4"	-	3/4"
inlet connection		3/4"BSP F	-	3/4"BSP F	-
outlet connection		3/4"BSP F	-	3/4"BSP F	-
max winding capacity 3/4"	m	15	-	15	-
	ft	50'	-	50'	-
	kg	25	32,5	27,5	35
	cm	61 x 61 x 35			

RA2019

Hose-reel with stainless steel drum and structure



"HIGH VOLUMES" range

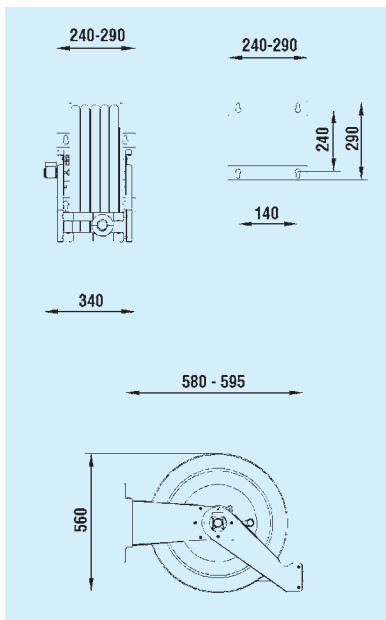
RA2018

Hose-reel with powder coated steel drum and structure



RA2020

Hose-reel with stainless steel drum and structure

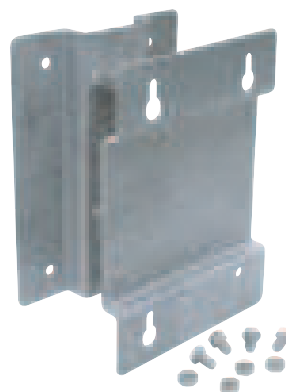


		COATED STEEL			INOX		
		RA2018	DA2121	DA2122	RA2020	DA2203	DA2202
working pressure	bar	20	10	10	20	10	10
	psi	290	145	145	290	145	145
hose length	m	-	20	14	-	20	14
	ft	-	66'	46'	-	66'	46'
diameter hose		-	3/4"	1"	-	3/4"	1"
inlet connection		1"BSP F	-	-	1"BSP F	-	-
outlet connection		1"BSP F	-	-	1"BSP F	-	-
max winding capacity 3/4"	m	20	-	-	20	-	-
	ft	66'	-	-	66'	-	-
max winding capacity 1"	m	14	-	-	14	-	-
	ft	46'	-	-	46'	-	-
	kg	29	38	38,5	33,5	42,5	43
	cm	65 x 61 x 39					

SWIVEL BRACKET for hose-reels of "HIGH CAPACITY" and "HIGH VOLUME" range

VA9003

Swivel bracket for powder coated steel hose-reels of "HIGH CAPACITY" and "HIGH VOLUME" range



VA9004

Swivel bracket for stainless steel hose-reels of "HIGH CAPACITY" and "HIGH VOLUME" range

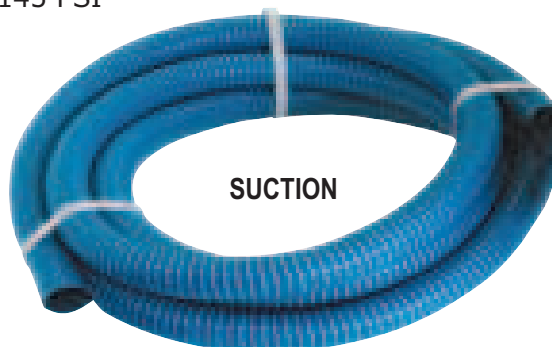
FLEXIBLE HOSE

LOW PRESSURE

Delivery pressure 10 Bar - 145 PSI



DELIVERY



SUCTION

* the hose is supplied with fitting and spring guard

** batch of 40mt.min

*** batch of 50mt.min

diameter / lenght (MT)

	DELIVERY			SUCTION			pipe fittings
	3/4" 19 x 26 mm	1" 25 x 35 mm	1 1/4" 32 x 42 mm	3/4" 19 x 26 mm	1" 25 x 35 mm	1 1/4" 32 x 42 mm	
VH9500	in skein **						
VH9501	2						M/M 1"/1"
VH9502	3						M/M 1"/1"
VH9503	4						M/M 1"/1"
VH9505	6						M/M 1"/1"
VH9506	7 *						M/M 1"/1"
VH9507	10 *						M/M 1"/1"
VH9508	12 *						M/M 1"/1"
VH9509	15 *						M/M 1"/1"
VH9510	20 *						M/M 1"/1"
VH9560				in skein ***			
VH9600		in skein **					
VH9608		2					M/M 1"/1"
VH9601		4					M/M 1"/1"
VH9609		5 *					M/M 1"/1"
VH9603		6					M/M 1"/1"
VH9604		7 *					M/M 1"/1"
VH9605		10 *					M/M 1"/1"
VH9606		12 *					M/M 1"/1"
VH9607		14 *					M/M 1"/1"
VH9660					in skein ***		
VH9650					2,5		M/M 1"/1"
VH9651					4		M/M 1"/1"
VH9652					6		M/M 1"/1"
VH9700			in skein **				
VH9701			4				M/M 1 1/4" x 1 1/4"
VH9702			2				M/M 1 1/4" x 1 1/4"
VH9760						in skein ***	
VH9750						2,5	M/M 1 1/4" x 1 1/4"
VH9751						4	M/M 1 1/4" x 1 1/4"
VH9752						6	M/M 1 1/4" x 1 1/4"



DV9609

Hose spring 3/4"

DV9610

Hose spring 1"

DV9611

Hose spring 1 1/4"

HOSE ACCESSORIES see at page 29

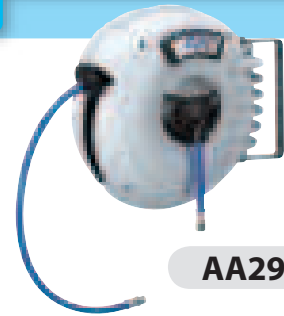
HOSE AND CABLE REELS



AA2902
AA2903



AA2904
AA2905



AA2906

AIR			N x mm2	Ø	🌀	📦 cm	⚖️
	AA 2902	Reel master air 9		* 8 x 12 mm	9 mt	32x34x20	4,6 Kg
	AA 2903	Reel classic air 10		6 x 10 mm	10 mt	29,5x30,5x16,5	3,5 Kg
	AA 2904	Maxi reel air 15		* 8 x 12 mm	15 mt	38x39x25	6,5 Kg
	AA 2905	Maxi reel air 10		10 x 15 mm	10 mt	38x39x25	6,5 Kg
	AA 2906	Reel compact air 12		* 8 x 12 mm	12 mt	36x33x20	4,4 Kg

WA2903



WA2920
WA2921



WA2905



WA2919



ELECTRICAL CABLE REELS			N x mm2	🌀 / 📡 WATT	🌀	📦 cm	⚖️
	WA 2903	Reel power 220/10 Schuko TUV	3 x 1,5 mm	800/2000	10 mt	29,5x30,5x16,5	4,5 Kg
	WA 2905	Reel compact 220/18 TUV	3 x 1,5 mm	800/2000	18 mt	36x33x30	4,8 Kg
	WA 2919	Big Reel TUV	5 x 1,5 mm	1000/3000	30 mt	44x51x23	11,6 Kg
	WA 2920	Reel classic ground	1 x 6 mm	----	15 mt	28x28x19	2,8 Kg
	WA 2921	WA2920 + ATEX Clamp	1 x 6 mm	----	15 mt	29x29x27,5	3,8 Kg

WA2912



WA2907



WA2915



WA2909



LAMPS NEON			N x mm2	💡 / 🔩	🌀	📦 cm	⚖️
	WA 2907	Reel neon 24 volt	2 x 1 mm	2G7/11W	15 mt	29,5x30,5x22,5	5,5 Kg
	WA 2909	Reel compact neon 24 volt	2 x 1 mm	2G7/11W	20 mt	36x33x30	5,7 Kg
	WA 2912	Reel lamp 24 V	2 x 1 mm	E27/60W	15 mt	29,5x30,5x22,5	6,7 Kg
	WA 2915	Reel lamp compact 24 V	2 x 1 mm	E27/60W	20 mt	36x33x30	6,1 Kg